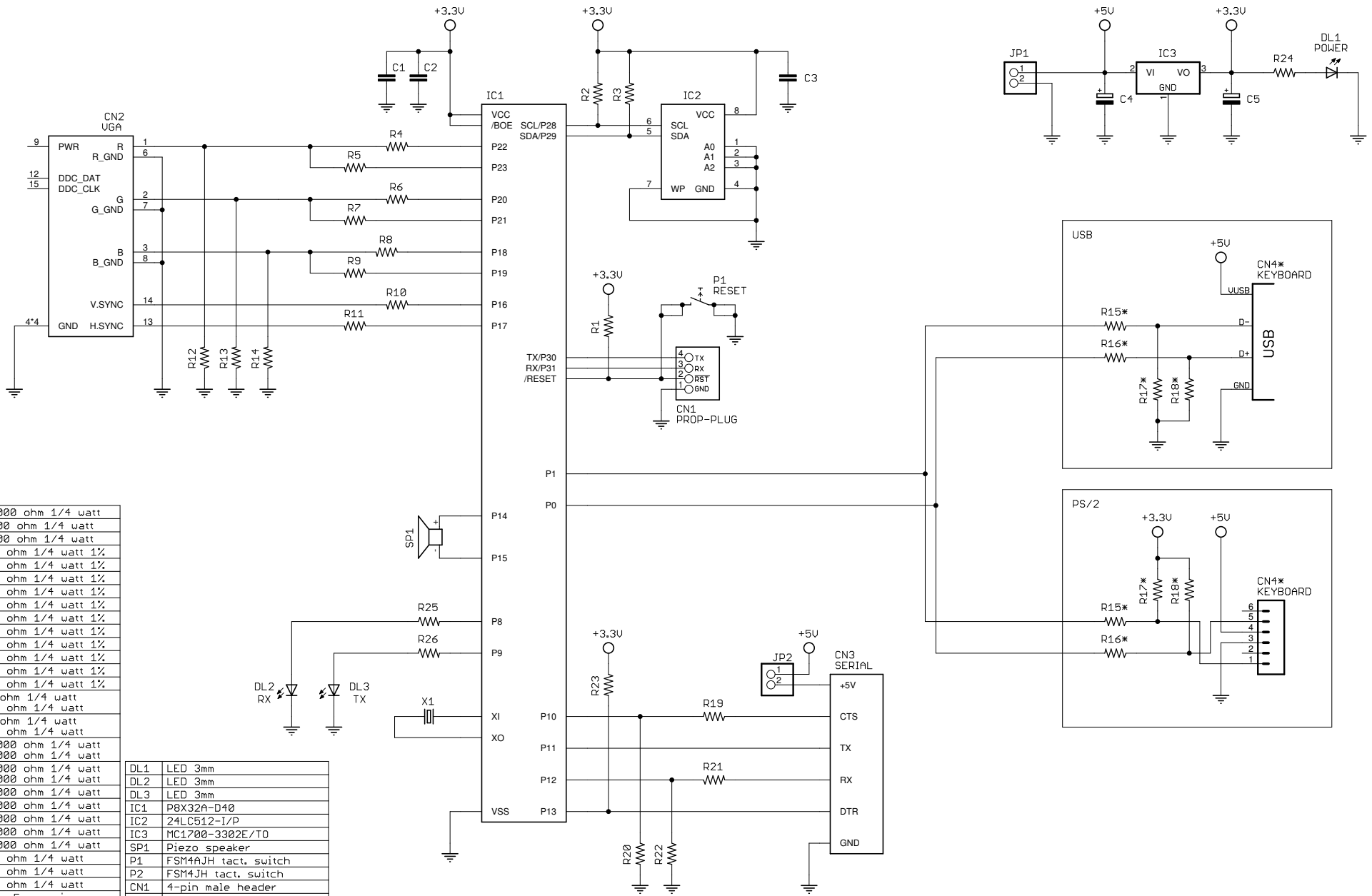


UGA Serial Terminal

Copyright (c) 2020 Marco Maccaferri



R1	10.000 ohm 1/4 watt
R2	4.700 ohm 1/4 watt
R3	4.700 ohm 1/4 watt
R4	510 ohm 1/4 watt 1%
R5	240 ohm 1/4 watt 1%
R6	510 ohm 1/4 watt 1%
R7	240 ohm 1/4 watt 1%
R8	510 ohm 1/4 watt 1%
R9	240 ohm 1/4 watt 1%
R10	240 ohm 1/4 watt 1%
R11	240 ohm 1/4 watt 1%
R12	130 ohm 1/4 watt 1%
R13	130 ohm 1/4 watt 1%
R14	130 ohm 1/4 watt 1%
R15*	47 ohm 1/4 watt 100 ohm 1/4 watt
R16*	47 ohm 1/4 watt 100 ohm 1/4 watt
R17*	47.000 ohm 1/4 watt 10.000 ohm 1/4 watt
R18*	47.000 ohm 1/4 watt 10.000 ohm 1/4 watt
R19	10.000 ohm 1/4 watt
R20	22.000 ohm 1/4 watt
R21	10.000 ohm 1/4 watt
R22	22.000 ohm 1/4 watt
R23	10.000 ohm 1/4 watt
R24	220 ohm 1/4 watt
R25	220 ohm 1/4 watt
R26	220 ohm 1/4 watt
C1	100 nF ceramic
C2	100 nF ceramic
C3	100 nF ceramic
C4	10 uF 35 v. electr.
C5	10 uF 35 v. electr.
X1	5 MHz crystal

DL1	LED 3mm
DL2	LED 3mm
DL3	LED 3mm
IC1	P8X32A-D40
IC2	24LC512-1/P
IC3	MC1700-3302E/T0
SP1	Piezo speaker
P1	F5M4AJH tact. switch
P2	F5M4AJH tact. switch
CN1	4-pin male header
CN2	DB15 HD connector
CN3	6-pin header
CN4*	USB-A female connector 6-pin Mini-DIN connector
JP1	2-pin male header
JP2	2-pin male header